



## SYSTEM S

OFFICE LIGHTING SYSTEM

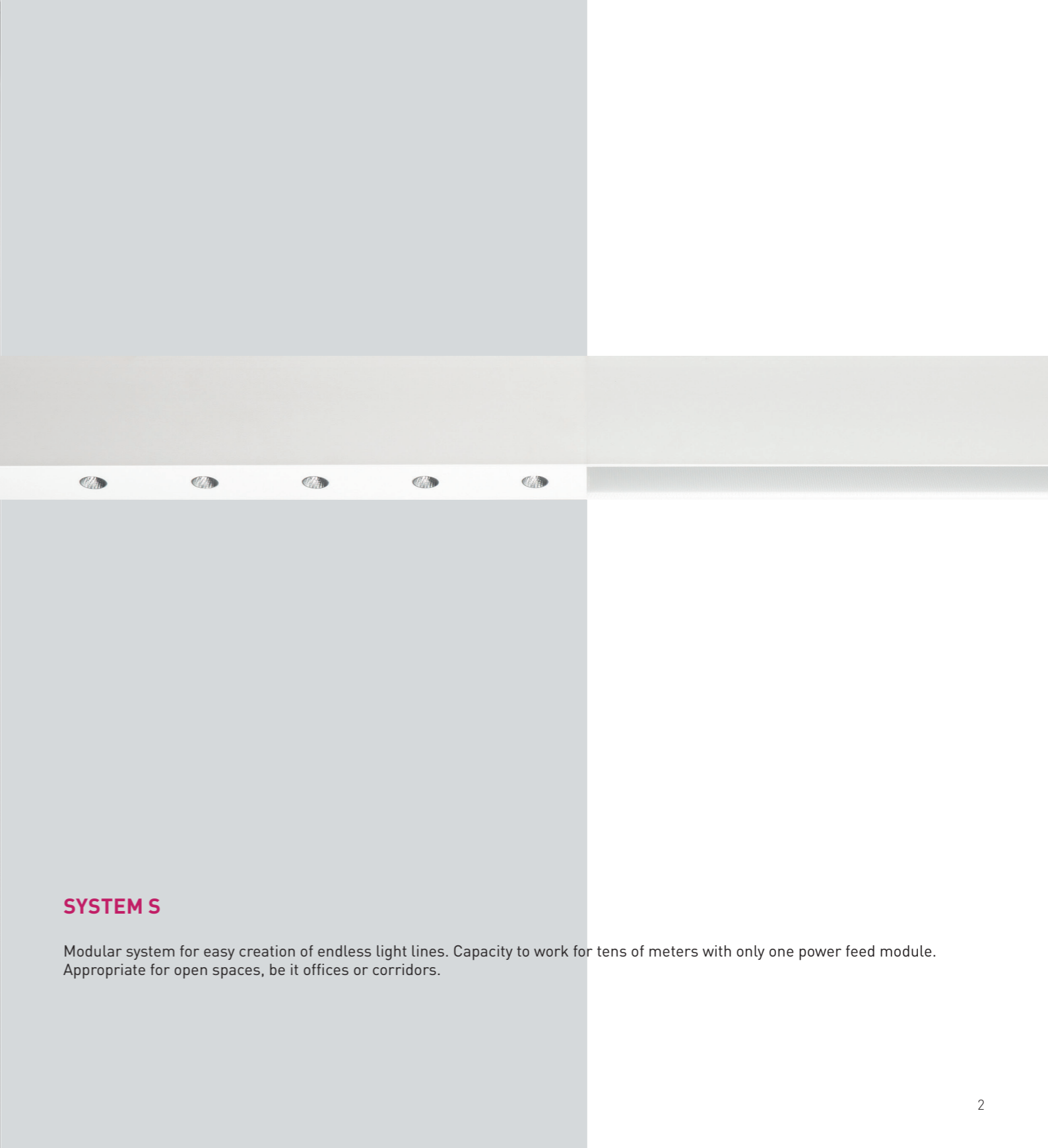
Continuous light lines  
High efficiency  
Modularity  
Tool free installation

**BUCK GmbH**

Taunustor 1  
60310 Frankfurt am Main  
office@bucklicht.de  
www.bucklicht.de  
tel +49.731.950.32.330

Copyright © 2018 BUCK

**BUCK**  
www.buck.lighting

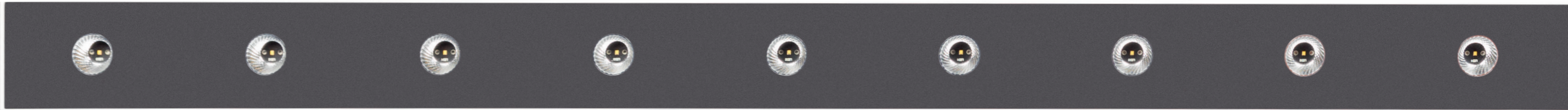
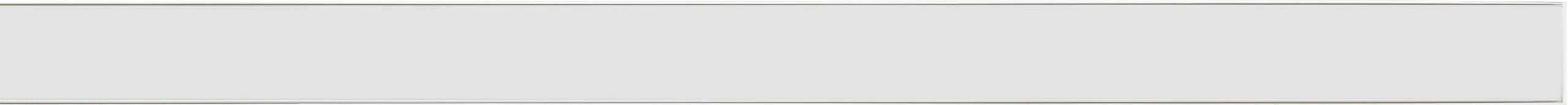


## SYSTEM S

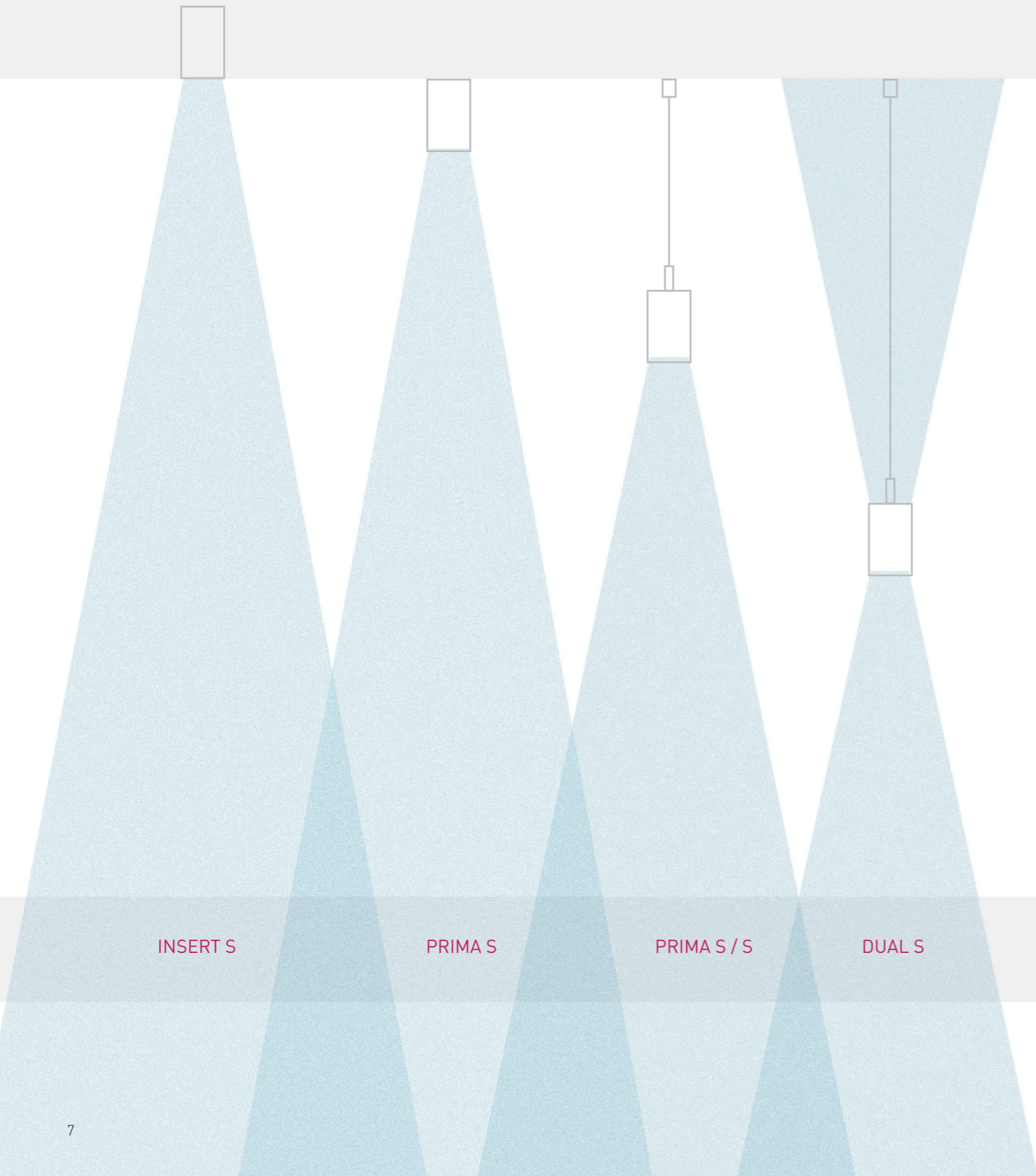
Modular system for easy creation of endless light lines. Capacity to work for tens of meters with only one power feed module. Appropriate for open spaces, be it offices or corridors.



OFFICE LIGHTING SYSTEM



# MOUNTING



INSERT S

PRIMA S

PRIMA S / S

DUAL S

INTENDED FOR RECESSED, SURFACE MOUNTED AND SUSPENDED MOUNTING



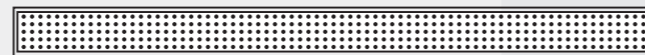
The light line can integrate several lighting scenes, depending on the particular need or use of the space and its parts.

# MODULARITY

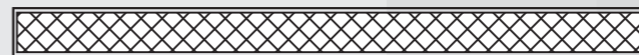
Four standard lengths of modules for different optics and blind cover



MD



DO



CDP



WW

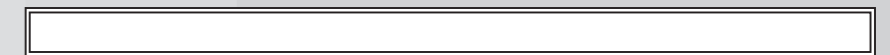
2244 mm



1402 mm



1122 mm



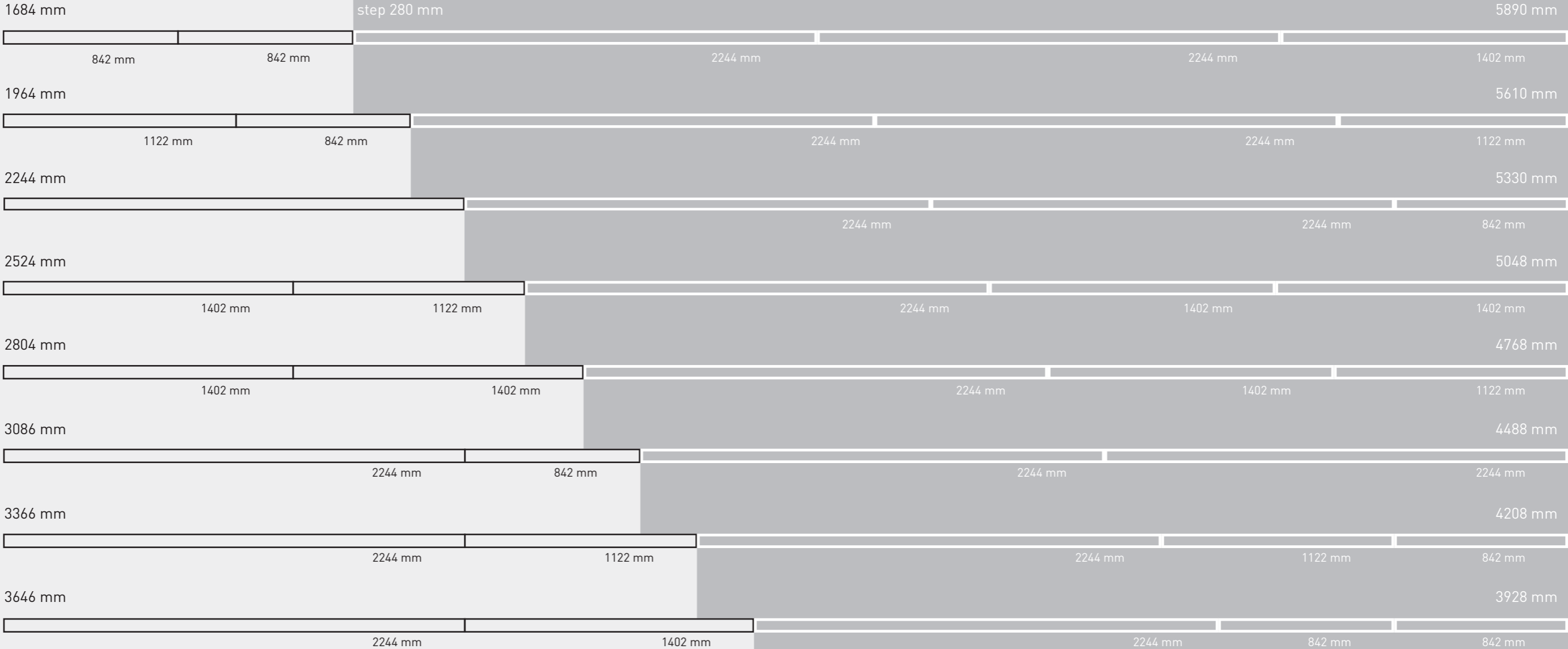
842 mm



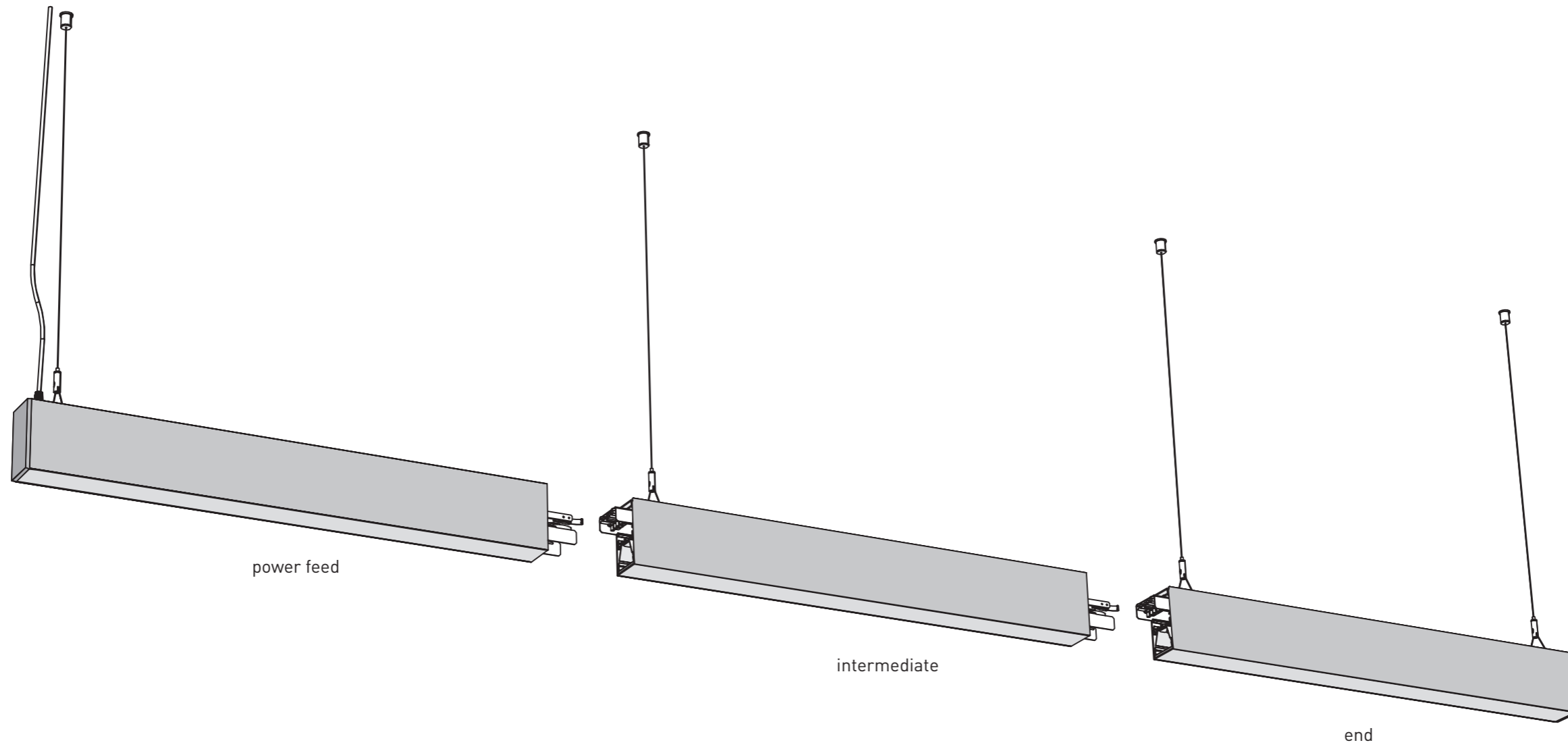
blind cover



Standard lengths of modules, enabling excellent adaptability to desired lengths of the final light line.

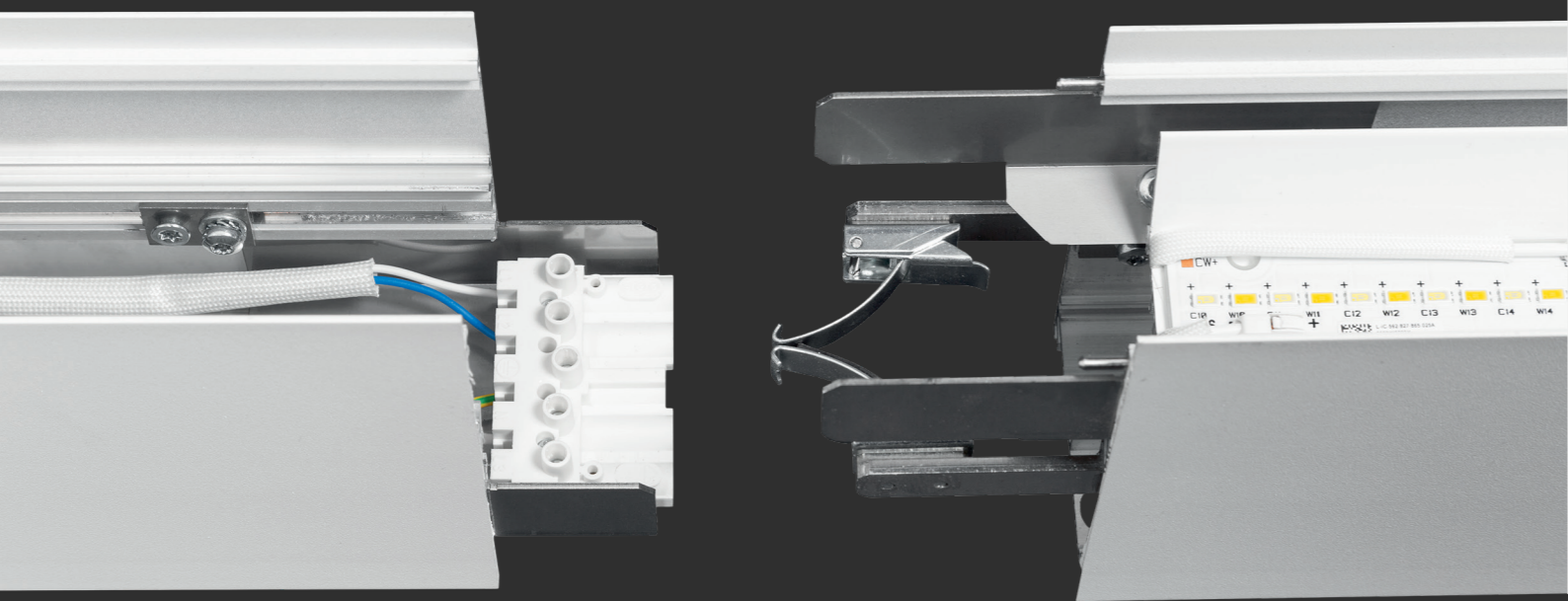






## SYSTEM ASSEMBLING

Easy and precise installation and serviceability of LED modules / drivers



## SYSTEM ASSEMBLING

Tool free module connection

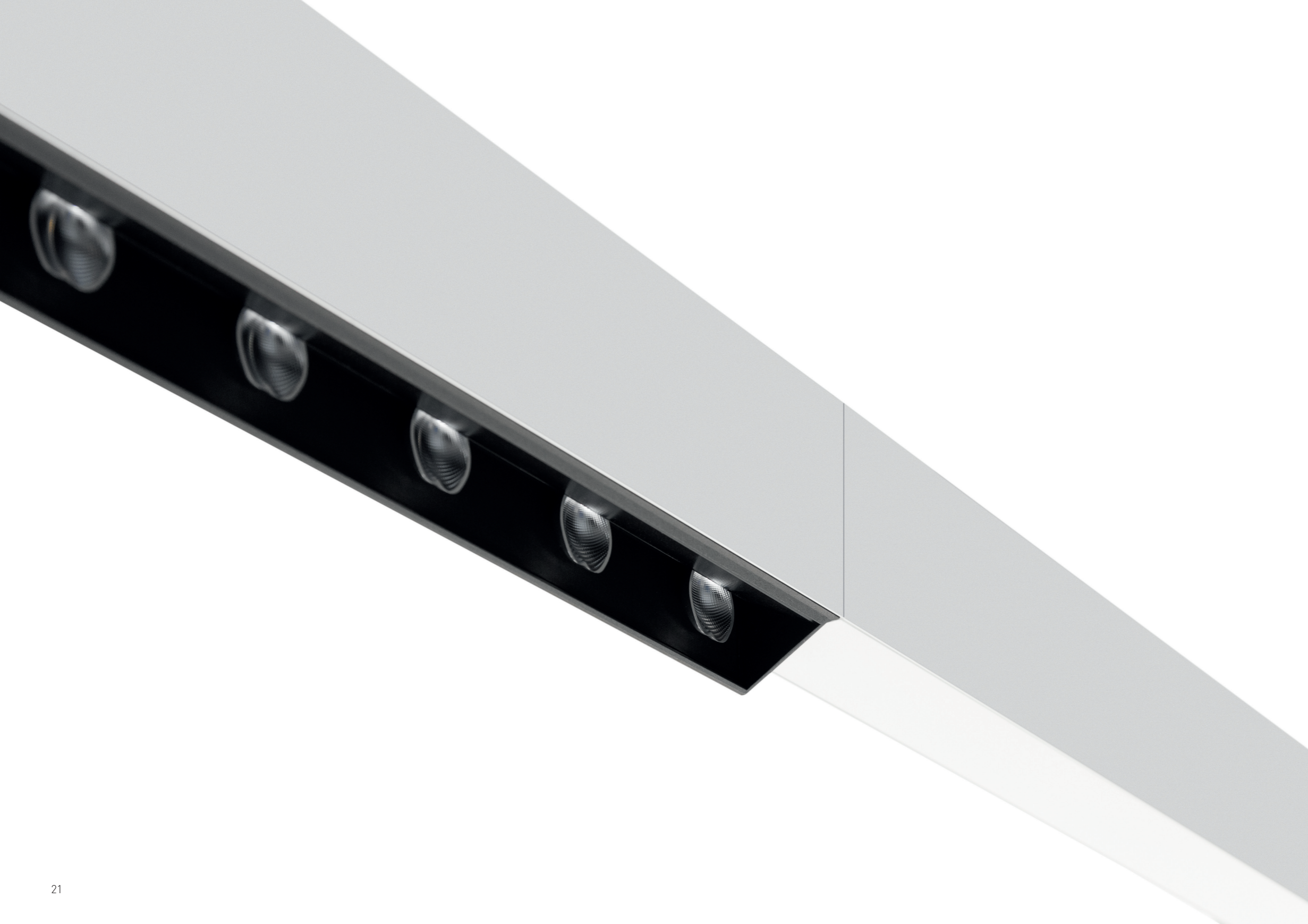


Suspension mounting kit



## HOUSING / FINISH

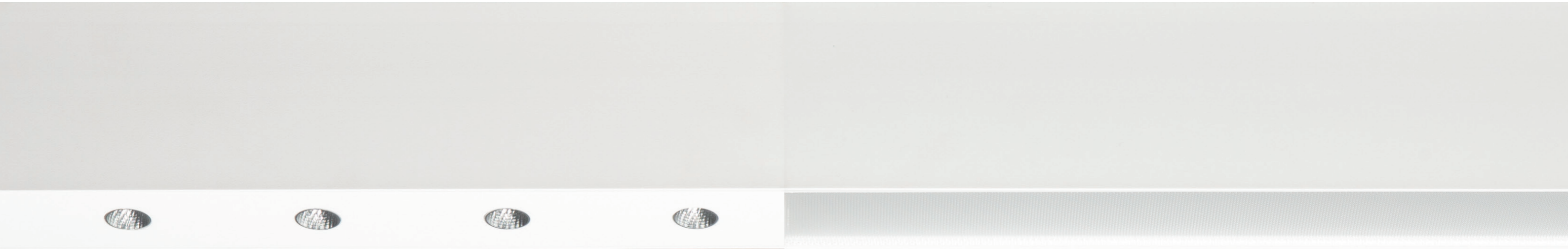
- Luminaire of extruded aluminium
- Anodisation in natural aluminium colour or
- Epoxy polyester powder coating, fine structured texture



up to 150lm/W

#### **ENERGY EFFICIENCY**

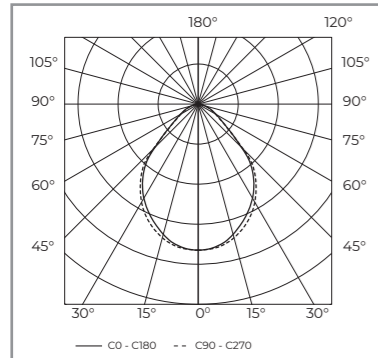
- High efficacy linear system
- Up-to-date generation of LED modules
- ZHAGA compatible LED modules



**OPTICS**



## OPTICS



## CDP

Multilayer optics appropriate for office spaces, with UGR < 19.  
Highly transparent micro prismatic diffuser provides glare limitation and a uniform diffusing light.  
The opal foil provides a uniformly illuminated surface, without visible light sources.

### INSERT S CDP | PRIMA S CDP

**Dimensions A/B/H**  
**Luminaire luminous flux [t<sub>a</sub>= 25°]**  
**Total power**  
**Luminaire efficiency**  
**Light colour temperature**  
**CRI**  
**LED service life**  
**Power supply**  
**Control gear**

### DIRECT LIGHT

846/60/110, 1126/60/110, 1406/60/110, 2248/60/110mm  
686 - 5280lm  
7 - 54W  
98lm / W  
2700K / 4000K  
>80  
60000h L80B10 / SCDM3  
220 - 240V, 50 - 60Hz  
ECG, DALI

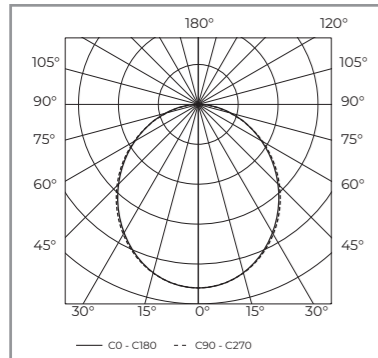
### DUAL S CDP

**Dimensions A/B/H**  
**Luminaire luminous flux [t<sub>a</sub>= 25°]**  
**Total power**  
**Luminaire efficiency**  
**Light colour temperature**  
**CRI**  
**LED service life**  
**Power supply**  
**Control gear**

### DIRECT/ INDIRECT LIGHT

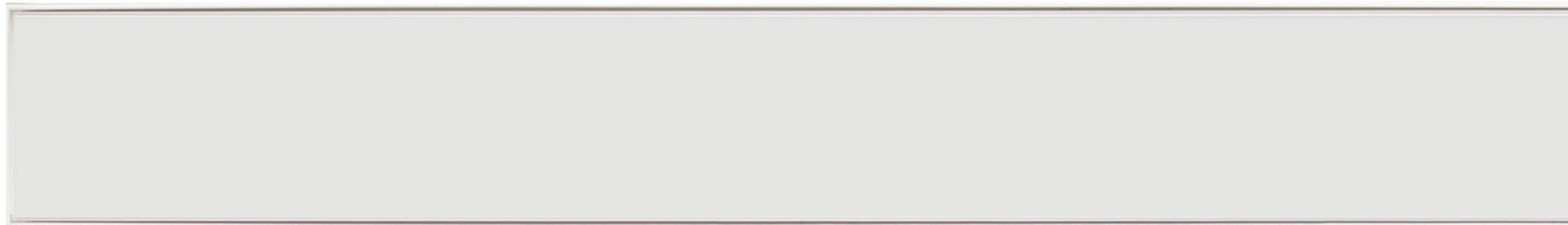
846/60/110, 1126/60/110, 1406/60/110, 2248/60/110mm  
2655 - 13620lm  
19 - 108W  
126 - 140lm / W  
2700K / 4000K  
>80  
60000h L80B10 / SCDM3  
220 - 240V, 50 - 60Hz  
ECG, DALI

**OPTICS**



**D0**

Optics with wider light beam, appropriate for communication zones and high frequency spaces. Opal diffuser provides a uniform diffusing light and a uniformly illuminated surface, without visible light sources.



**INSERT S D0 | PRIMA S D0**

**Dimensions A/B/H**  
**Luminaire luminous flux [t<sub>a</sub>= 25°]**  
**Total power**  
**Luminaire efficiency**  
**Light colour temperature**  
**CRI**  
**LED service life**  
**Power supply**  
**Control gear**

**DIRECT LIGHT**

846/60/110, 1126/60/110, 1406/60/110, 2248/60/110mm  
 616 - 4760lm  
 5 - 40W  
 119 - 123lm/W  
 2700K / 4000K  
 >80  
 60000h L80B10 / SCDM3  
 220 - 240V, 50 - 60Hz  
 ECG, DALI

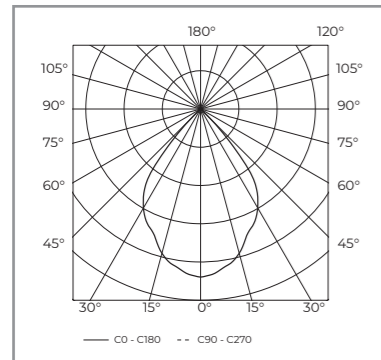
**DUAL S D0**

**Dimensions A/B/H**  
**Luminaire luminous flux [t<sub>a</sub>= 25°]**  
**Total power**  
**Luminaire efficiency**  
**Light colour temperature**  
**CRI**  
**LED service life**  
**Power supply**  
**Control gear**

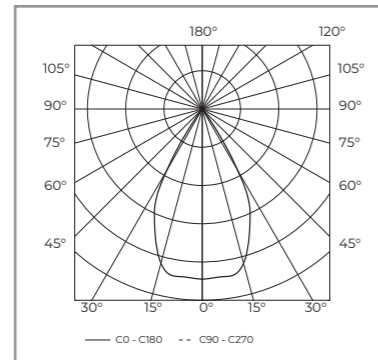
**DIRECT/ INDIRECT LIGHT**

846/60/110, 1126/60/110, 1406/60/110, 2248/60/110mm  
 2136 - 11002lm  
 15 - 80W  
 137 - 142lm/W  
 2700K / 4000K  
 >80  
 60000h L80B10/ SCDM3  
 220- 240V, 50- 60Hz  
 ECG, DALI

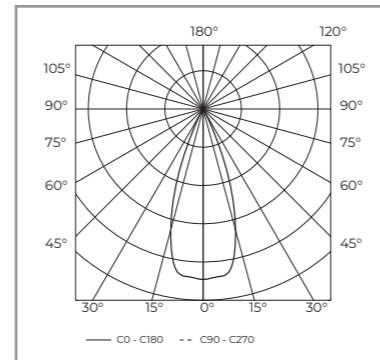
## OPTICS



MD 75



MD 55



MD 35

## MD

Micro downlight for direct illumination of high energy efficiency. Linear downlight reflectors with complex-surface geometry of micro-facets allow precise shaping of light beam. Angles of direct light beam and reflected light are almost perfectly aligned, providing sharp cut off for full visual comfort.



### INSERT S MD | PRIMA S MD

**Dimensions A/B/H**  
**Luminaire luminous flux [t<sub>a</sub>= 25°]**  
**Total power**  
**Luminaire efficiency**  
**Light colour temperature**  
**CRI**  
**Light beam**  
**LED service life**  
**Power supply**  
**Control gear**

846/60/110, 1126/60/110, 1406/60/110, 2248/60/110mm  
 1649 - 4889lm  
 20 - 53W  
 82 - 92lm/W  
 2700K/ 4000K/DyW 2700-5700K  
 >90/ >80/ >90  
 35° / 55° / 75°  
 50000h L70B10/ SCDM3  
 220 - 240V, 50 - 60Hz  
 ECG, DALI

### DIRECT LIGHT

### DUAL S MD

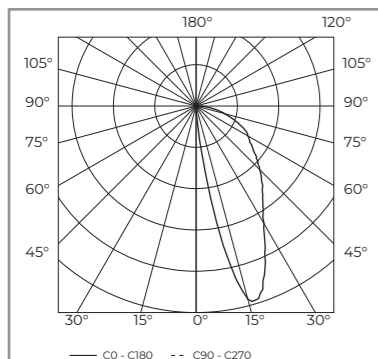
**Dimensions A/B/H**  
**Luminaire luminous flux [t<sub>a</sub>= 25°]**  
**Total power**  
**Luminaire efficiency**  
**Light colour temperature**  
**CRI**  
**Light beam**  
**LED service life**  
**Power supply**  
**Control gear**

846/60/110, 1126/60/110, 1406/60/110, 2248/60/110mm  
 4714 - 13062lm  
 42 - 112W  
 112 - 116lm/W  
 2700K/ 4000K/DyW 2700-5700K  
 >90/ >80/ >90  
 35° / 55° / 75°  
 50000h L70B10/ SCDM3  
 220 - 240V, 50 - 60Hz  
 ECG, DALI

### DIRECT/ INDIRECT LIGHT



## OPTICS



## WW

Wall washer for illumination of large wall surfaces. Wall washing component is based on reflectors with micro-facet technology. Reflectors ensure high uniformity of lighting distribution. Precise cut off eliminating glare in adjacent areas.



### INSERT S WW | PRIMA S WW

**Dimensions A/B/H**  
**Luminaire luminous flux [t<sub>a</sub>= 25°]**  
**Total power**  
**Luminaire efficiency**  
**Light colour temperature**  
**CRI**  
**LED service life**  
**Power supply**  
**Control gear**

### DIRECT LIGHT

846/60/110, 1126/60/110, 1406/60/110, 2248/60/110mm  
 2592lm - 6912lm  
 40 - 106W  
 65lm/W  
 2700K/ 4000K/DyW 2700-5700K  
 >90/ >80/ >90  
 50000h L70B10 / SCDM3  
 220 - 240V, 50 - 60Hz  
 ECG, DALI

### DUAL S WW

**Dimensions A/B/H**  
**Luminaire luminous flux [t<sub>a</sub>= 25°]**  
**Total power**  
**Luminaire efficiency**  
**Light colour temperature**  
**CRI**  
**LED service life**  
**Power supply**  
**Control gear**

### DIRECT/ INDIRECT LIGHT

846/60/110, 1126/60/110, 1406/60/110, 2248/60/110mm  
 5656lm - 15084lm  
 62 - 166W  
 91lm/W  
 2700K/ 4000K/DyW 2700-5700K  
 >90/ >80/ >90  
 50000h L70B10 / SCDM3  
 220 - 240V, 50 - 60Hz  
 ECG, DALI





## SYSTEM S

OFFICE LIGHTING SYSTEM

Continuous light lines  
High efficiency  
Modularity  
Tool free installation

**BUCK GmbH**

Taunustor 1  
60310 Frankfurt am Main  
office@bucklicht.de  
www.bucklicht.de  
tel +49.731.950.32.330

Copyright © 2018 BUCK

**BUCK**  
www.buck.lighting